

SETUP & SAFETY INSTRUCTIONS



Our products are subject to continuous development and improvement. Steeldeck® reserves the right to make alterations to the technical data, design or construction of the described products, to stop production of the products or substitute them without prior announcement. All descriptions and technical data in this brochure are for general information only and are not components of a purchasing or a delivery contract. We accept no liability for errors or omissions.

This publication may be freely reproduced, except for advertising, endorsement or commercial purposes.
Steeldeck® is a registered trademark

Steeldeck® NY Inc
143-145 Banker Street • Brooklyn • New York • 11222
www.steeldeckny.com • 1-877-60-STAGE

Steeldeck® Set Up Instructions


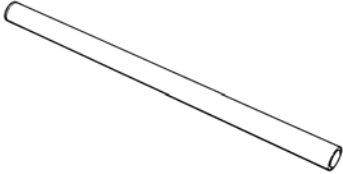

Instructions




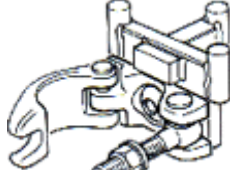
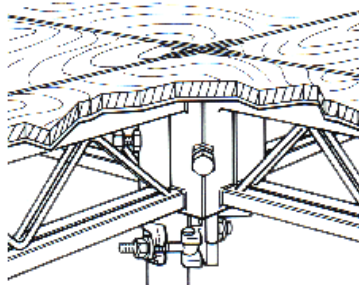
Before setting up the decks read these instructions completely. These instructions include:

- A description of the Steeldeck® system
- What loads the decks can take
- How to set up the decks

Whoever is in charge of those setting up Steeldeck® should ensure that everyone has had these instructions explained.

System Description

	<p>Construction Detail</p> <p>Steeldeck® platforms consist of a steel truss frame with a socket in each corner and a plywood top. The truss frame is made up from a top chord, a bottom chord, and a distinctive zigzag web.</p> <p>The 3/4" birch ply plywood top is screwed to the top chord. The top is backed with flame retardant sound adsorbing foam.</p> <p>The socket in the corner takes a scaffolding tube leg which is held in position with a M12 bolt, using a hand knob.</p> <p>Many different sizes and shapes of Steeldeck platforms can be supplied.</p> <p><i>(Illustration shows shrouded corners normally only specified on decks for rental.)</i></p>
	<p>Legs</p> <p>Steel scaffolding tube legs are used in our patented square corner posts and bolted in. Scaffolding tube is economical, readily available and allows standard scaffolding fittings to be used when bracing a structure.</p> <p>Using different size legs allow the same deck to be set at different heights.</p>
	<p>Raked Stages</p> <p>If a raked stage or ramp is required legs can also be cut and welded at an angle.</p>

	<p>Plastic "feet" slot into the bottom of the legs protecting the surface the deck is resting on</p>
	<p>Uneven Ground Adjustable base plates can be used to allow level the deck on uneven ground and to spread the load for example when setting up on a field. Since adjustable base plates cannot be set up very close to each other one leg is sometimes used to support four adjacent decks using a multi-coupler or a flanged leg (see below).</p>
	<p>Rolling Stage and Trolleys Casters can be inserted into legs for rolling platforms, or used to make a trolley to move other decks or equipment.</p>
	<p>Multi-Couplers Multi-couplers allow up to four adjacent decks to be supported by a single leg. This reduces set up times and allows adjustable base plates to be used</p>
	<p>The multi-coupler attaches to one leg and enables this one leg to support one, two or three neighboring decks. Up to three decks can be supported by one leg using one multi-coupler</p> <p>Shoulder and Hook Legs Rather than using a Multi Coupler legs can be supplied with welded shoulders or hooks to support adjacent decks</p>

Loads

All Steeldeck[®] units are designed to carry a static load of at least 500kg/m² or 5kN/m². Some patterns and sizes may be able to carry more. Overloading may cause damage to the decks.

Cutting holes in the tops will also weaken the decks.

Before use visually check components for signs of damage e.g., crushed or bent top or bottom chords. Do not use damaged Steeldeck[®] or decks which have been overloaded. Damaged or overloaded Steeldeck[®] may have lost their structural integrity and should be immediately removed from use and scrapped.

Joining Sections

Adjacent decks are joined by bolting through their top chords which are drilled for this purpose.

Risk Assessment

Only by considering the unique circumstance of each use of the decks can the risks be assessed and precautions to counter the risks put in place. The risk assessment should consider not only the setting up and the taking down of the Steeldeck® platform but also how the Steeldeck® will be used.

These instructions deal with the setting up and taking down of Steeldeck®. How the Steeldeck® will be used and the precautions which will need to be taken will vary with each individual application.

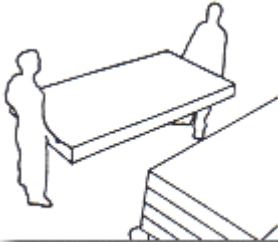
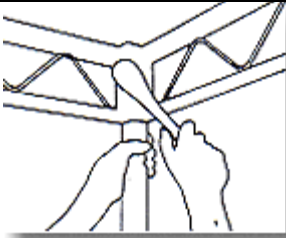
For example if a stage built from Steeldeck® is to be used by the partially sighted then additional guardrails are likely to be needed.

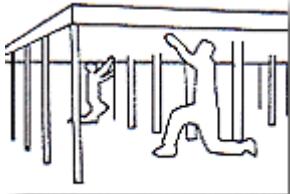
The risk assessment should consider the risk and precautions to counter them from the manual handling of the decks and falling from any structure built.

Set up

Warnings

- Decks can be heavy and can injure through poor handling.
- Do not store Steeldeck® where it is exposed to rain or high moisture conditions. Wet conditions or high moisture will cause the steel to corrode and the plywood to rot, reducing the strength of Steeldeck®.
- Platforms built from Steeldeck® may require bracing. Generally platforms up to 4' high will not require bracing but if in doubt seek advice.

	<p>Provide two or more people to handle each Steeldeck® unit. Clear set-up area for decks. Stand deck on its long edge.</p>
	<p>Check that all four legs are fitted with a plastic foot. Insert open end of leg into corner post. Ensure leg is completely into corner post. Tighten corner post bolt firmly using a wrench (do not over-tighten). Check that all four legs are held securely. Ensure there is enough space to maneuver deck. Stand deck up and place in position.</p>



Fit connecting M10 x 60 bolts finger-tight as decks are erected.

Tighten connecting bolts.

Note: Bolts should be tightened firmly, not forced.

To break down a Steeldeck® platform, follow set-up instructions in reverse order.

Connecting Individual Decks Together

1. Standard 4'0 x 8'0 units have four holes drilled on the 8' and two bolt holes drilled on the 4'0 edge. (These holes are located on the top chord of the truss and are reinforced on their rear with a square plate.)
2. These holes are to allow neighboring decks to be bolted together. However, not all these are needed in the decks. It is sufficient to only bolt on the decks on the periphery together and then only by a single bolt at each end of the deck. The nuts and bolts are inserted by reaching 10" under the deck.
3. Fit connecting bolts to neighboring units finger-tight as decks are erected.
4. When all the units are erected tighten connecting bolts. For most activities, due to the stability of the decks, the bolts need only be finger tight. For more vigorous performances the bolts must be tightened with a spanner.

Removal to storage

To breakdown Steeldeck® follow set-up instructions in reverse order.